



Fender Light Mount

LAH.00.10700.B



Thank you for choosing DENALI

We know you would rather be riding your bike than wrenching on it, so we go the extra mile to make sure our instructions are clear and as easy to understand as possible. If you have any questions, comments, or suggestions don't hesitate to give our gear experts a call at 401.360.2550 or visit WWW.DENALIELECTRONICS.COM

Please Read Before Installing

DENALI products should always be installed by a qualified motorcycle technician. If you are unsure of your ability to properly install a product, please have the product installed by your local motorcycle dealer. DENALI takes no responsibility for damages caused by improper installation. **Caution:** When installing electronics it is extremely important to pay close attention to how wires are routed, especially when mounting products to the front fender, front forks, or fairing of your motorcycle. Always be sure to turn the handlebars fully left, fully right, and fully compress the suspension to ensure the wires will not bind and have enough slack for your motorcycle to operate properly.

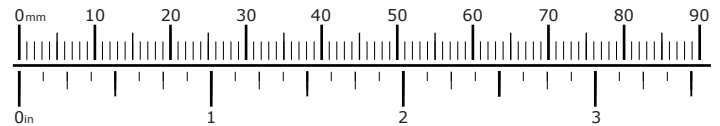
Installation Tips

We strongly recommend using medium strength liquid thread locker on all screws, nuts, and bolts. It is also important to ensure that all hardware is tightened to the proper torque specifications as listed in your owner's manual. For included accessory hardware please refer to the default torque specifications provided below. Inspect all hardware after the first 30 miles to ensure proper torque specifications are maintained.

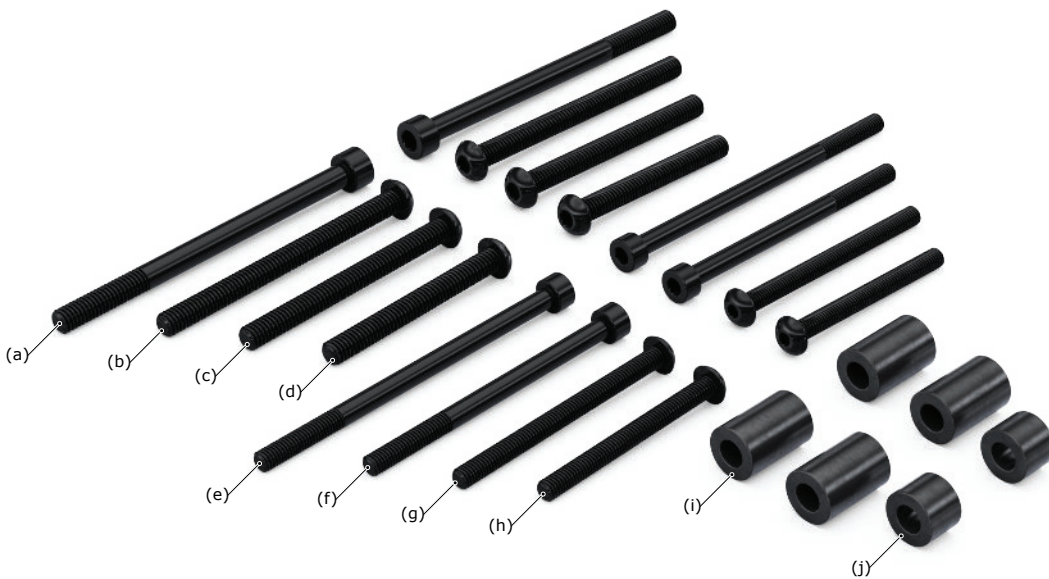
Bolt Size	in-lbs	ft-lbs	Nm
M3	10.0 in-lbs	-	1.0 Nm
M4	23.0 in-lbs	-	2.5 Nm
M5	44.5 in-lbs	3.5 ft-lbs	5.0 Nm
M6	78.0 in-lbs	6.5 ft-lbs	9.0 Nm
M8	-	13.5 ft-lbs	18.0 Nm
M10	-	30.0 ft-lbs	41.0 Nm
M12	-	52.0 ft-lbs	71.0 Nm

Hardware Sizing Guide

Not sure what size bolt you have? Use this ruler to measure screws, bolts, spacers, etc. Remember, the length of a screw or bolt is measured from the start of the "mounting surface" to the end of the screw, so only include the screw head when measuring countersunk screws.



What's In The Box?

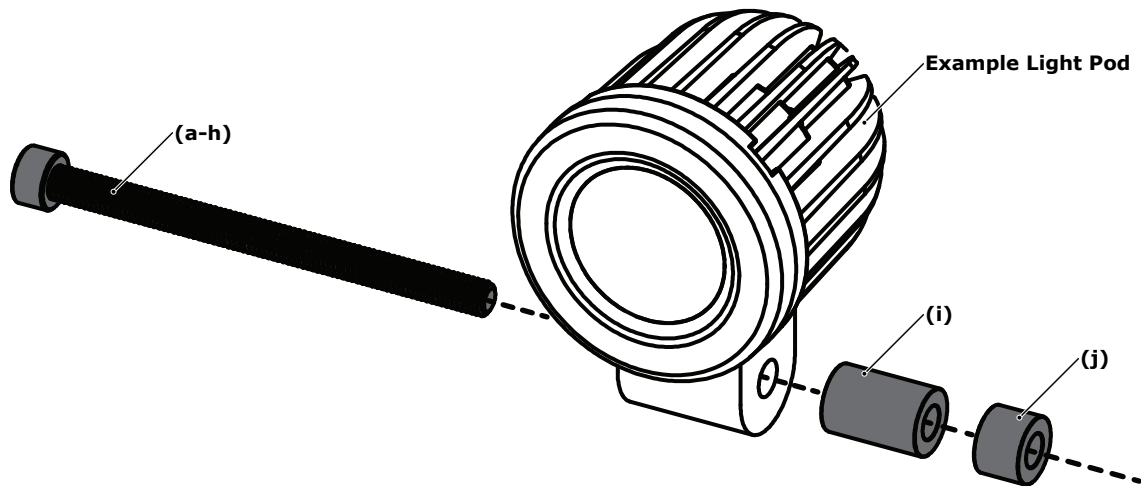


Kit Contents

- (a) M6x85 DIN 912.....Qty 2
- (b) M6x70 ISO 7380.....Qty 2
- (c) M6x60 ISO 7380.....Qty 2
- (d) M6x50 ISO 7380.....Qty 2
- (e) M5x85 DIN 912.....Qty 2
- (f) M5x70 ISO 7380.....Qty 2
- (g) M5x60 ISO 7380.....Qty 2

- (h) M5x50 ISO 7380.....Qty 2
- (i) Spacer - OD: 12.7mm ID: 6.5mm L: 19mm.....Qty 4
- (j) Spacer - OD: 12.7mm ID: 6.5mm L: 9.5mm.....Qty 2

Tools Required: 10mm Wrench, 5mm Allen Key, 4mm Allen Key, 3mm Allen key



1.1 - Selecting The Hardware

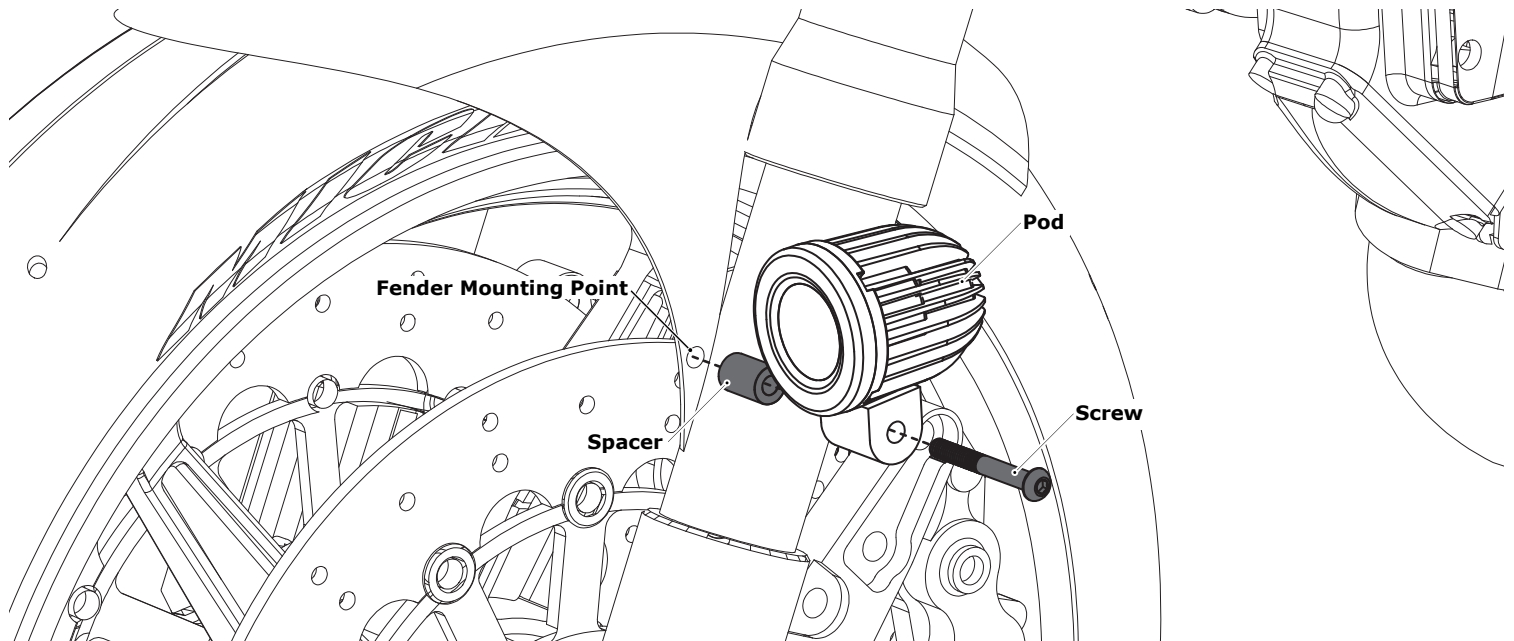
Step One: Remove the original u-bracket from the light pod.

Step Two: Remove the OEM bolt from one side of the fender. Determine if the bolt is M5 or M6.

Step Three: Determine which combination of spacers (i & j) will be necessary to offset the light pod from the fender for clearance.

Step Four: To insure optimal thread engagement, select a bolt (a-h) that protrudes past the spacer leaving the same amount of thread exposed as the bolt previously removed.

1. Installation



2.1 - Mounting The Lights

Step Four: Once the proper hardware has been selected, bolt the light pod and spacer directly to the fender mounting point.

Step Five: Repeat steps on opposite side of the motorcycle.

Caution: It's extremely important to pay close attention to where you mount the lights and how you route the wires.

Step Six: Before operating the motorcycle, turn the handlebars fully left, fully right, and fully compress the suspension. Confirm that the lights do not interfere with operation and that the wires have enough slack to account for all suspension and steering movement.